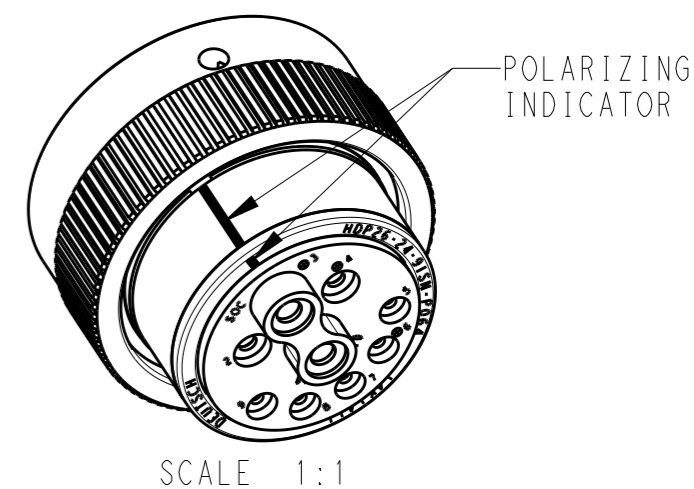
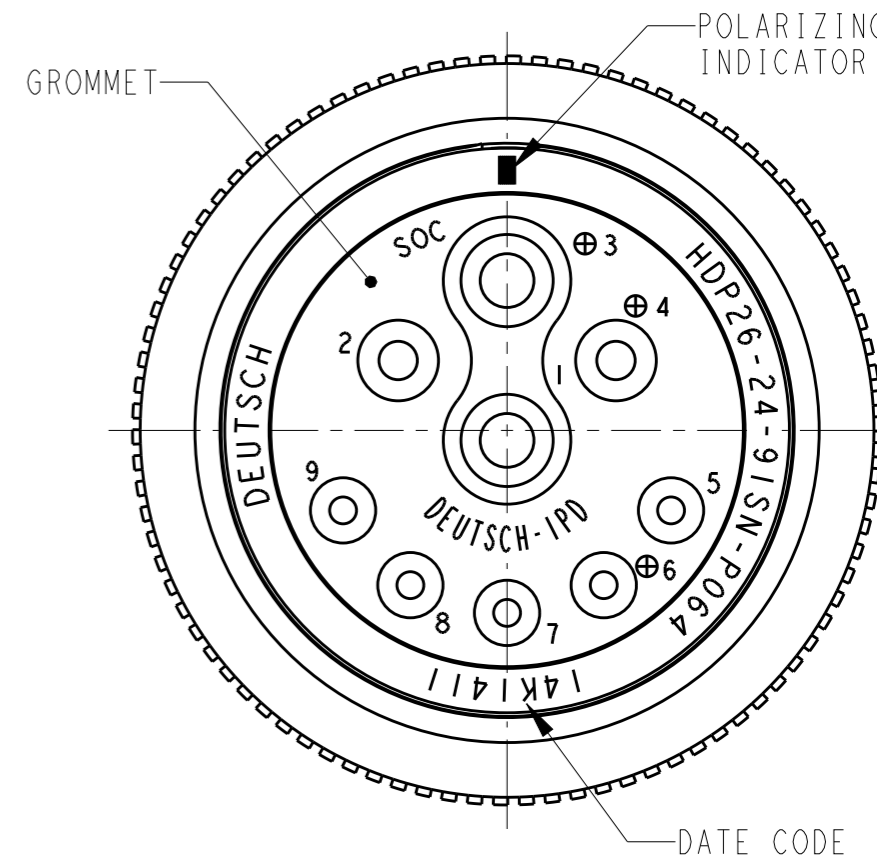
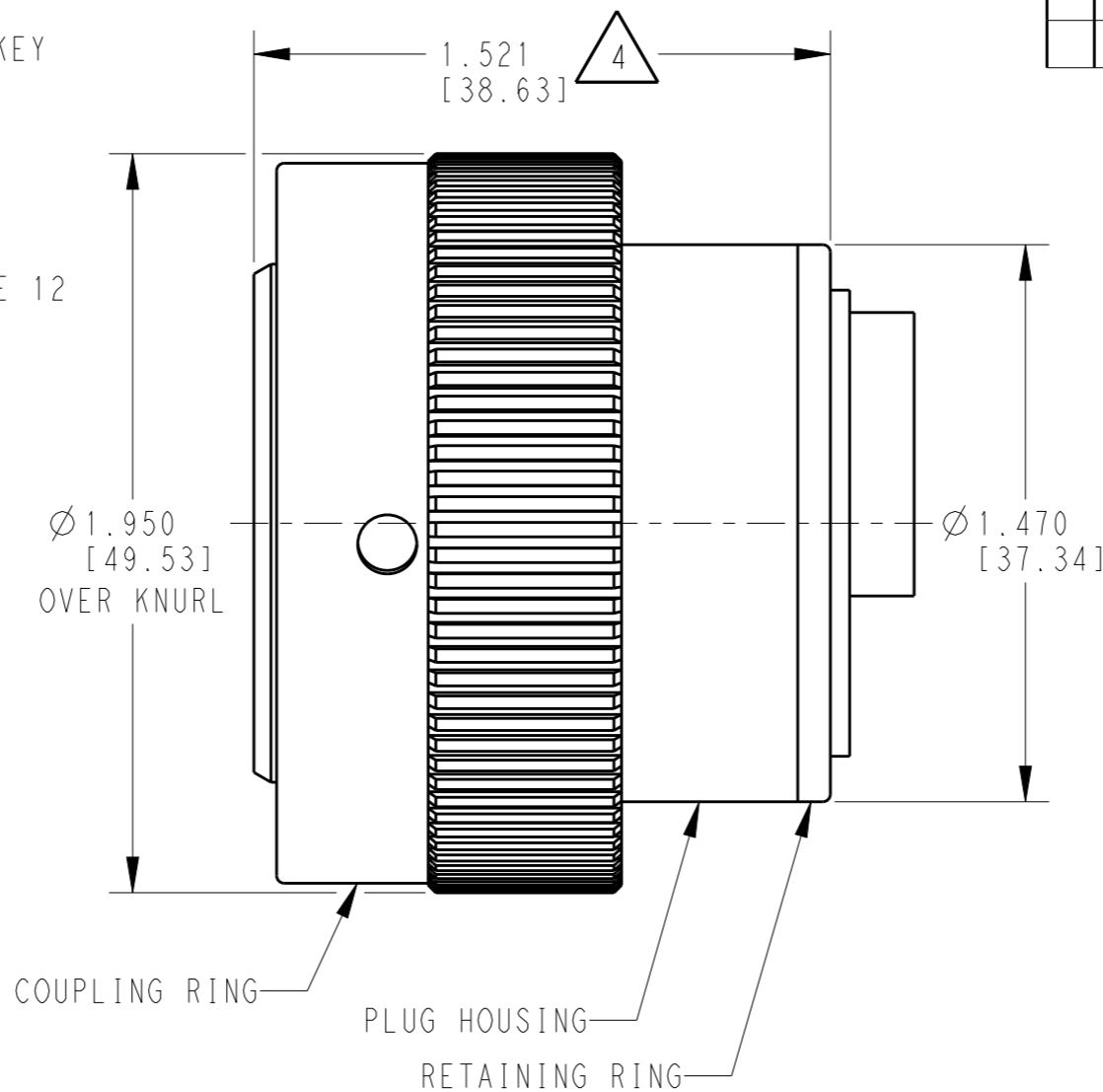
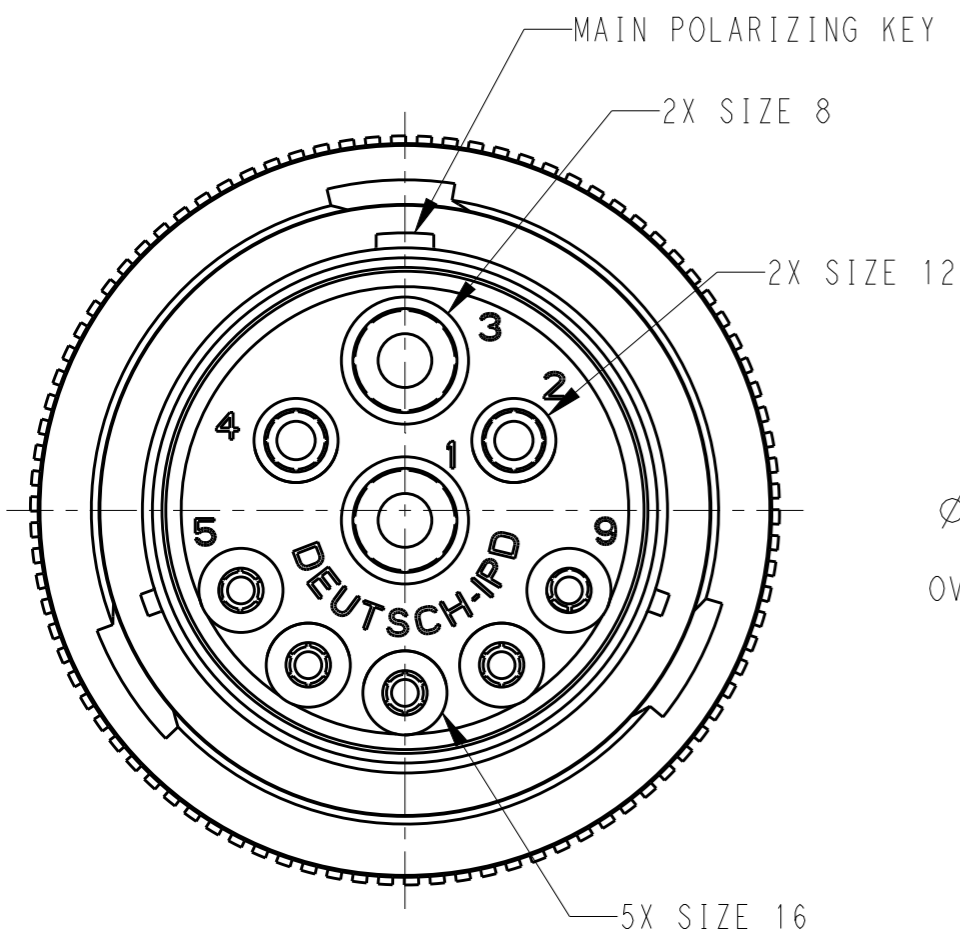


LOC	DIST	REVISIONS			
P	LTR	DESCRIPTION	DATE	DWN	APVD
		NC	NEW RELEASE PER E.O. P20445	26FEB2010	AM RDR
		A	REVISED PER ECO-14-019072	23FEB2015	JA DM
		A1	REVISED PER ECO-16-006700	10MAR2016	CS DM



5. PART MODIFICATION:  
 ELIMINATES JUMPER SEAL PLUG AND CONTACT

4 NOTED DIMENSION DOES NOT INCLUDE GROMMET PROTRUSION.

3 MATERIAL: PLUG HOUSING/COUPLING RING: PA66 GF10 (BLACK)  
 RETAINER RING: PA66 GF10 (GREEN, GRAY, BLUE)  
 GROMMET: SILICONE (ORANGE-RED)

2 SEE 0425-021-0000 APPLICATION SPECIFICATION  
 A. RECOMMENDED WIRE INSULATION RANGE  
 B. CONTACT REMOVAL TOOLS

1. THIS PLUG MATES WITH HDP24-24-91PX-XXXX RECEPTACLE  
 X = SEAL TYPE (N,T,E)  
 XXXX = MODIFICATION

NOTES:

TE INTERNAL PN	DEUTSCH PN
HDP26-24-91SN-P064	HDP26-24-91SN-P064
2301339-1	HDP26-24-91SE-P064

THIS DRAWING IS A CONTROLLED DOCUMENT.		DWN 23FEB2010 ALDO MALAGON		TE Connectivity	
DIMENSIONS: INCHES [mm]		CHK 26FEB2010 BRICE BYFORD			
TOLERANCES UNLESS OTHERWISE SPECIFIED:		APVD 26FEB2010 STEVE BEARD		NAME PLUG, COUPLING RING SIZE 24 HDP SERIES	
0 PLC ± 1 PLC ± 2 PLC ± 3 PLC ±.015 [0.38] 4 PLC ± ANGLES ±0°30'0"		PRODUCT SPEC 0425-021-0000		SIZE A3	
MATERIAL 3		FINISH N/A		CAGE CODE 4AFU8	
		WEIGHT 55.45g		DRAWING NO HDP26-24-91SX-P064	
		Customer Drawing		RESTRICTED TO -	
		SCALE 2:1		SHEET 1 OF 1	
		REV A1			